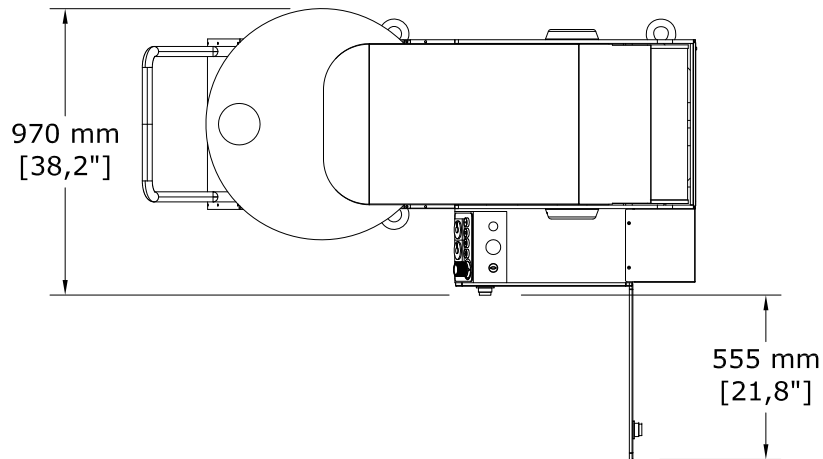
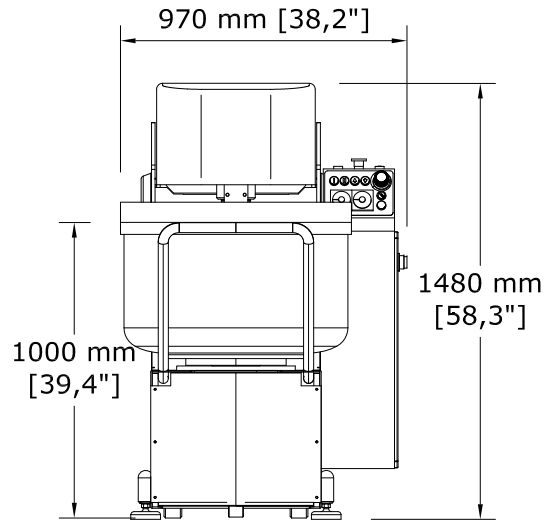
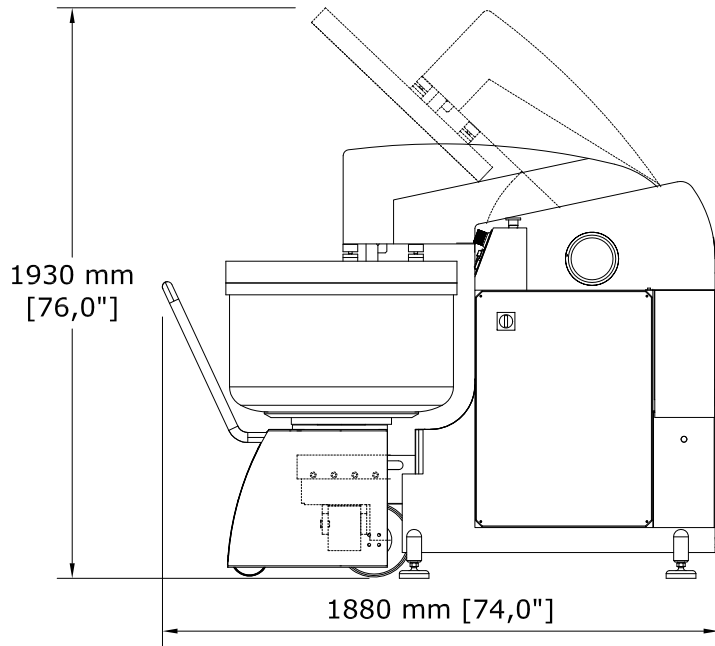


**ESCHER**  
mixers

**SPIRAL MIXERS WITH REMOVABLE BOWL  
MR 120**



**TECHNICAL DATA - DATI TECNICI - FICHE  
TECHNIQUE - TECHNISCHE DATEN - ТЕХНИЧЕСКИЕ  
ДАНЫ - 技術數據**

Lenght - Lunghezza- Longueur - Länge - длина - 長	1880 mm *
Width - Larghezza - Largeur - Breite - Ширина - 寬度	970 mm *
Height - Altezza - Hauteur - Höhe - высота - 高度	1480 mm *
Height bowl - Altezza Vasca - Hauteur de la cuve - Höhe des Tanks - высота танка - 罐的高度	1000 mm *
Max height - Altezza massima - hauteur maximale - maximale Höhe - максимальная высота - 最大高度	1930 mm *
Weight - Peso - Poids - Gewicht - Bec - 重量	1160 Kg
Flour Capacity - Capacità farina - Capacité farine - Mehlkapazität - Количество муки- 面粉容量	75 Kg
Kneading capacity - Capacità impasto - Capacité pâte - Teigkapazität - Количество теста - 面团容量	120 Kg
Bowl volume - Volume vasca - Volume cuve - Kesselvolumen - Объем дежи л - 面盆容积Y积	185 lt
Packaging size - Dimensione Imballo - Dimension de l'emballage - Packungsgröße - Размеры упаковки - 包裝尺寸	200x120x190 cm
Gross weight - Peso lordo - Poids brut - BruttoGewicht - Вес брутто - 毛重	1365 Kg

	1st	2nd
Spiral power - Potenza spirale - Puissance spirale - Spiralleistung - Мощность спирали - 螺旋功率	3 Kw	6.25 Kw
Tool speed - Velocità utensile - Vitesse outil - Werkzeugdrehzahl - Скорость инструмента - 刀具速度	95 rpm	185 rpm
Bowl power - Potenza vasca - Puissance cuve - Kesselleistung - Мощность дежи - 面盆功率	0.75 Kw	
Hydraulic system power - Potenza sist. idraulico - Puissance du système hydraulique - Hydraulksystem Leistung - Мощность гидравлической системы - 液压系统功率	0.55 Kw	
Total power - Potenza totale - Puissance total - Gesamtleistung - Полная мощность - 总功率	7.55 Kw	
* Tolerance	5 mm	

The company reserves the right to make changes without prior notice to third parties. Pursuant to law this drawings may not be copied or have them inspected by third parties without our permission.  
All drawings are owned exclusively by Escher Mixers Srl - Via Copernico 62, I-36034 Malo (VI) Italy

**Description: Technical sheet - MR 120**

	Customer:	
	Creation date	21/12/16
	Verified date	21/12/16
	Approvate date	21/12/16
<small>THIS PRINT IS PROPRIETY OF ESCHER MIXERS SRL, SUBJECT TO RETURN ON DEMAND, AND IS LOANED WITH UNDERSTANDING THAT IT IS NOT TO BE USED, DIRECTLY OR INDIRECTLY, IN ANYWAY DETRIMENTAL TO THE INTERES OF ESCHER MIXERS SRL.</small>	Last modifies by Last modified date Code: F2081200000 - Revision: 00-2016.12	Projection Sheet 1/1 A4